



Sterilization & Infection Control Products

T-MAX Autoclaves

What is STU?

STU is STE according EN 285:96 is a **Sterilization Module Unit**; meaning imaginary rectangular pipe 30x30x60 cm.

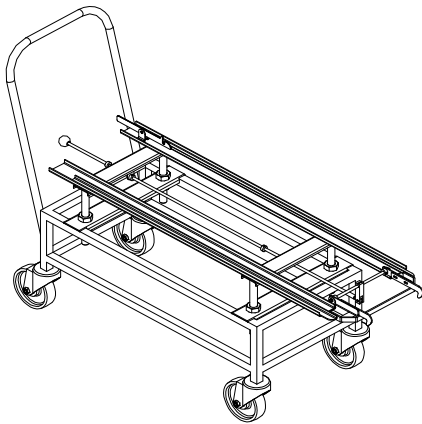
This is a good practice for European CSSD's, because a DIN basket can be put in a STU.

T-MAX can accommodate 4 STE's.

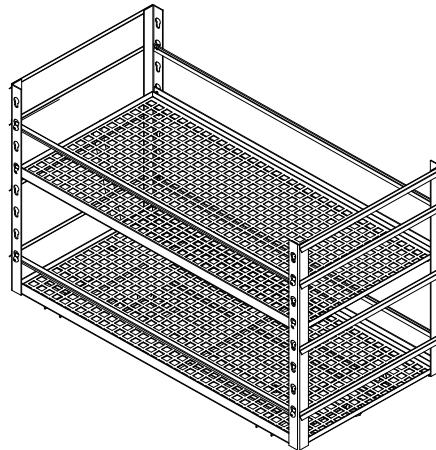
T-MAX 4 (66x71x68) = 316L

4 modules can be inserted: 30x30x60 = 54L x 4 = 220L

Therefore T-Max 10, we can accommodate 10 modules, etc..



Transfer Carriage



Loading Cart