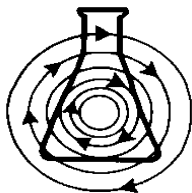




# Guide to Operations

## Excella™ E-10 Classic Platform Shaker

MANUAL NO: M1351-0050  
Revision A  
December 1, 2006



**NEW BRUNSWICK SCIENTIFIC CO., INC.**

BOX 4005 • 44 TALMADGE ROAD • EDISON, NJ 08818-4005

Telephone: 1-732-287-1200 • 1-800-631-5417

Fax: 732-287-4222 • Telex: 4753012 NBSCO

Internet: <http://www.nbsc.com> • E-mail: [bioinfo@nbsc.com](mailto:bioinfo@nbsc.com)

---



---

## INTERNATIONAL OFFICES:

### **BELGIUM**

New Brunswick Scientific NV-SA  
Stationsstraat 180/4  
3110 Rotselaar  
België/Belgique  
Tel: 32 (0)16 56 28 31  
Fax: 32 (0)16 57 27 53  
E-mail: sales@nbsnv-sa.be

### **CHINA**

New Brunswick Scientific Co., Inc.  
A903, 904 Yin Hai Building  
No. 250, Cao Xi Road  
Shanghai 200235, P.R. China  
Tel: 86 21 6484 5955 or 5966  
Fax: 86 21 6484 5933  
E-mail: nbschc@online.sh.cn

### **FRANCE**

New Brunswick Scientific SARL  
12-14, Rond Point des Champs Elysées  
75008 Paris  
France  
Tel: 33 (0)1 5353 1511  
Fax: 33 (0)1 5353 1557  
E-mail: sales@nbssarl.fr

### **GERMANY**

New Brunswick Scientific GmbH  
In Der Au 14  
D-72622 Nürtingen  
Deutschland  
Tel: 49 (0)7022 932490  
Fax: 49 (0)7022 32486  
E-mail: sales@nbsgmbh.de

### **THE NETHERLANDS**

New Brunswick Scientific BV  
Kerkenbos 1101, 6546 BC Nijmegen  
P.O Box 6826, 6503 GH Nijmegen  
Nederland  
Tel: 31 (0)24 3717 600  
Fax: 31 (0)24 3717 640  
E-mail: sales@nbsbv.nl

### **UNITED KINGDOM**

New Brunswick Scientific (UK) Ltd.  
17 Alban Park  
St. Albans, Herts. AL4 0JJ  
United Kingdom  
Tel: 44 (0)1727 853855 or 0800 581331  
Fax: 44 (0)1727 835666  
E-mail: bioinfo@nbsuk.co.uk  
Web: www.nbsuk.co.uk

**CAUTION!**

This equipment *must* be operated as described in this manual. If operational guidelines are not followed, equipment damage and personal injury *can* occur. Please read the entire User's Guide before attempting to use this unit.

Do not use this equipment in a hazardous atmosphere or with hazardous materials for which the equipment was not designed.

New Brunswick Scientific Co., Inc. (NBS) is not responsible for any damage to this equipment that may result from the use of an accessory not manufactured by NBS.

## Copyright Notice

New Brunswick Scientific Company, Inc.  
Box 4005 44 Talmadge Road  
Edison, New Jersey 08818-4005

© Copyright 2006 New Brunswick Scientific Co., Inc.

All Rights Reserved.

Reproduction, adaptation, or translation without prior written permission from New Brunswick Scientific is prohibited.

## Disclaimer Notice

New Brunswick Scientific Co., Inc. reserves the right to change information in this document without notice. Updates to information in this document reflect our commitment to continuing product development and improvement.

## Manual Conventions



### NOTE:

Notes contain essential information that deserves special attention.



### CAUTION!

*Caution* messages appear before procedures which, if caution is not observed, could result in damage to the equipment.



### WARNING!

*Warning* messages alert you to specific procedures or practices which, if not followed correctly, could result in serious personal injury.

### Bold

Text in boldface type emphasizes key words or phrases.



This particular *Warning* message, whether found in the manual or on the unit, means **HOT SURFACE**—and therefore represents a potential danger to touch.



### CRUSH WARNING!

*Crush Warning* messages alert you to specific procedures or practices regarding heavy objects which, if not followed correctly, could result in serious personal injury .



---

## TABLE OF CONTENTS

<b>1</b>	<b>OVERVIEW .....</b>	<b>9</b>
<b>2</b>	<b>INSPECTION &amp; UNPACKING.....</b>	<b>10</b>
2.1	<i>Inspection of Boxes .....</i>	<i>10</i>
2.2	<i>Packing List Verification .....</i>	<i>10</i>
2.3	<i>Unpacking of Equipment .....</i>	<i>10</i>
2.4	<i>Out-of-Box Concerns .....</i>	<i>10</i>
2.5	<i>Warranty Registration .....</i>	<i>10</i>
<b>3</b>	<b>PREPARING THE LOCATION.....</b>	<b>11</b>
3.1	<i>Physical Location .....</i>	<i>11</i>
3.2	<i>Operating Environment .....</i>	<i>11</i>
3.3	<i>Electrical Requirements.....</i>	<i>11</i>
<b>4</b>	<b>FEATURES .....</b>	<b>12</b>
4.1	<i>Front Panel.....</i>	<i>12</i>
4.2	<i>Platform Assemblies .....</i>	<i>15</i>
<b>5</b>	<b>GETTING STARTED .....</b>	<b>16</b>
5.1	<i>Installing a Platform.....</i>	<i>16</i>
5.2	<i>Installing Flask Clamps .....</i>	<i>17</i>
5.3	<i>Electrical Connections.....</i>	<i>18</i>
<b>6</b>	<b>OPERATION .....</b>	<b>19</b>
6.1	<i>Starting the Shaker.....</i>	<i>19</i>
6.2	<i>Continuous (Unlimited) Run.....</i>	<i>19</i>
6.3	<i>Checking Any Setpoint.....</i>	<i>20</i>
6.4	<i>Timed Functions .....</i>	<i>20</i>
6.5	<i>Alarm Functions .....</i>	<i>21</i>
6.6	<i>Automatic Restart .....</i>	<i>21</i>
6.7	<i>Speed Calibration .....</i>	<i>21</i>
<b>7</b>	<b>MAINTENANCE &amp; SERVICE.....</b>	<b>22</b>
7.1	<i>Cleaning External Surfaces .....</i>	<i>22</i>
7.2	<i>Belt Replacement or Adjustment.....</i>	<i>22</i>
7.3	<i>Troubleshooting .....</i>	<i>24</i>
<b>8</b>	<b>PARTS &amp; ACCESSORIES.....</b>	<b>25</b>
8.1	<i>Belt Replacement Parts.....</i>	<i>25</i>
8.2	<i>Accessories.....</i>	<i>25</i>
<b>9</b>	<b>SPECIFICATIONS.....</b>	<b>27</b>
9.1	<i>Certifications .....</i>	<i>28</i>

**10 DRAWINGS .....30**  
    10.1 *Drawing List* .....30  
    10.2 *Table List* .....31

**11 INDEX.....32**



---

# 1 OVERVIEW

The Excella™ E-10 Classic Platform Shaker is a portable benchtop shaker utilizing a UniCentric™ single eccentric counterbalanced drive to provide horizontal plane rotary motion in a 1-inch (2.54 cm) circular orbit. A Proportional/Integral (PI) Microprocessor controller with instantaneous digital feedback controls the speed over a range of 50-400 rpm.

The shaker may be operated either continuously or in a timed mode via a programmable timer for shaking periods of 0.1 hour to 99.9 hours.

The E-10 is equipped with both a visual and an audible alarm which is activated when an alarm condition exists, as follows:

- The end of a timed run
- Deviations of shaking speed

A wide variety of platforms can be used with the E-10. Dedicated platforms are available for a variety of flask sizes. Universal platforms, utility trays, utility carriers and test tube racks are also available.

## 2 INSPECTION & UNPACKING

### 2.1 *Inspection of Boxes*

After you receive your order from New Brunswick Scientific, inspect the boxes carefully for any damage that may have occurred during shipping. Report any damage immediately to the carrier and to your local NBS Sales Order Department.

### 2.2 *Packing List Verification*

Verify against your NBS packing list that you have received the correct materials.

### 2.3 *Unpacking of Equipment*

Save all packing materials and User's Guide.



#### **WARNING!**

**The unit is heavy. Two or more people are required to lift the shaker.**

There are two small plastic straps that held the bearing housing in place during shipping. Once the unit is unpacked and inspected, remove the straps from the bearing housing.

### 2.4 *Out-of-Box Concerns*

If any part of your order was damaged during shipping, if any pieces are missing, or if the unit fails to operate properly, please fill out the *Customer Satisfaction Form 6300* and return it by fax.

### 2.5 *Warranty Registration*

Please complete and return your Warranty card or register electronically at our website, [www.NBSC.com](http://www.NBSC.com).

---

## 3 PREPARING THE LOCATION

### 3.1 *Physical Location*

It is essential that the instrument be situated in a area where there is sufficient space for the shaker and platform to clear walls and obstructions during operation.

The surface on which the unit is placed must be smooth, level, and able to support the shaker under full load operating conditions.

### 3.2 *Operating Environment*

The shaker is designed to operate optimally in the following ambient conditions:

- 5 - 45°C
- 20 to 80% Relative Humidity non-condensing

### 3.3 *Electrical Requirements*

The Excella E-10 can be equipped to run on:

- 100/120 volts, 50/60 Hz, 1500 VA maximum
- 230 volts, 50/60 Hz, 1500 VA maximum

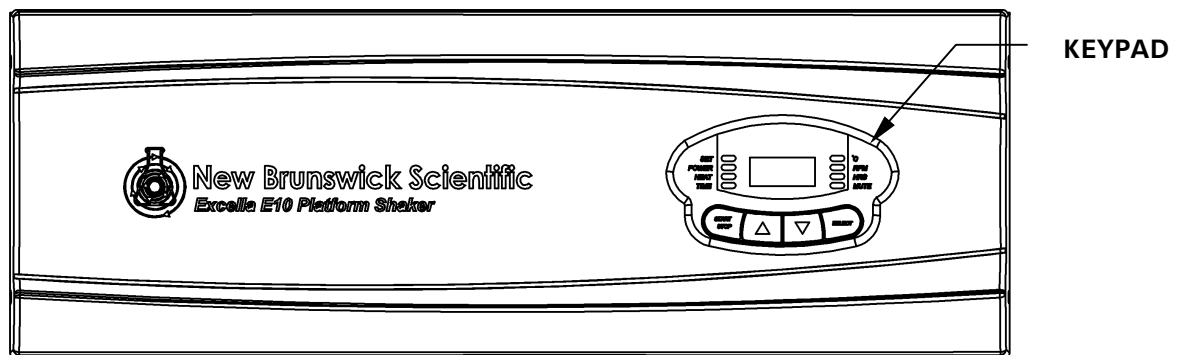
In all cases, voltage variations must not exceed  $\pm 10\%$ .

## 4 FEATURES

### 4.1 Front Panel

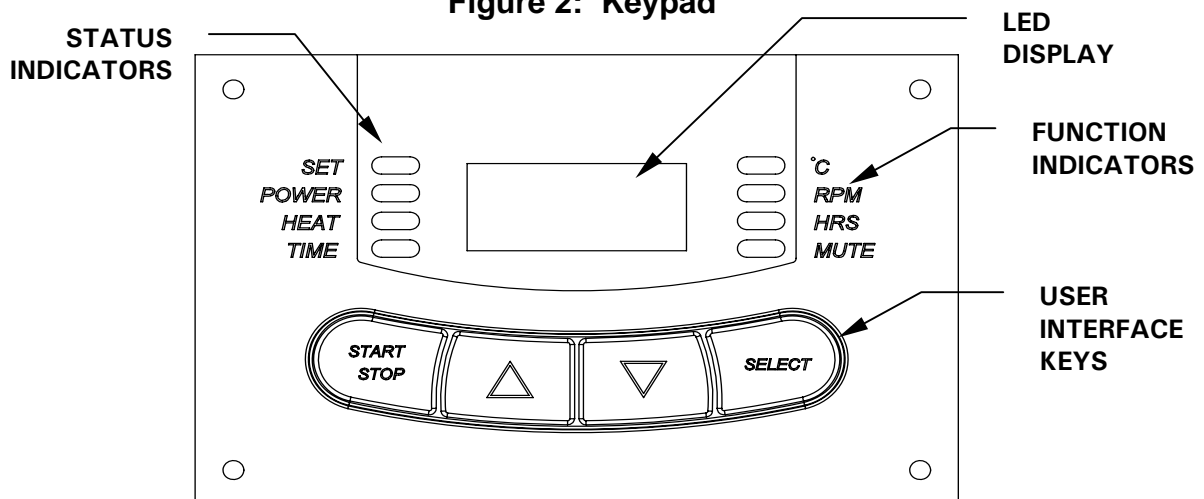
The keypad on the front panel is the primary user interface to command the Excella E-10. This section will acquaint you with the keypad's user interface keys, LED display, status indicators and function indicators.

Figure 1: Front Panel



#### 4.1.1 User Interface Keys

Figure 2: Keypad



As you can see in Figure 2 above, the keypad has four user interface keys: **START/STOP**, **▲**, **▼** and **SELECT**. This is how they are used:

- **START/STOP** This key is used to start or stop the shaker. It will also activate or stop the timer when a timed run is desired.
- **▲(UP), ▼(DOWN)** These keys are used to adjust the setpoint of a displayed parameter up or down. They also allow the user to enter the **SET MODE** for setpoint changes.
- **SELECT** This key is used to change the displayed parameter.

#### 4.1.2 LED Display

The digital display on the control panel is a three-digit **LED DISPLAY**. During normal shaker operation, the display will indicate:

- Shaker status (On/Off)
- Shaking speed
- Setpoints
- Hours remaining (in a timed run)

#### 4.1.3 Status Indicators

Four status indicator lights are located to the left of the **LED DISPLAY**. They are:

- **SET** Indicates that the shaker is in the **SET MODE**, when setpoints are being displayed and can be altered. This is activated by the **SELECT** key or by pressing the **▲(UP)** or **▼(DOWN)** arrow.
- **POWER** Illuminates and blinks during power up or if power is interrupted during a run. Press the **SELECT** key and change to another function to turn off this indicator.
- **HEAT** Not applicable.
- **TIME** Indicates that the timer is in operation. The shaker can be programmed to run for a preset time from 0.1 to 99.9 hours. The timer can be disengaged without stopping an ongoing run.

#### 4.1.4 Function Indicators

Four function indicator lights are located to the right of the **LED DISPLAY**. They indicate the current parameter(s) being displayed:

- **°C** Not applicable.
- **RPM** Revolutions per minute. When in **SET MODE**, use the **▲(UP)** or **▼(DOWN)** arrow key to change the speed. It indexes at 1 RPM increments unless the key is pressed for 4 seconds, after which it indexes more rapidly.
- **HRS** Time remaining in a timed run. Can be set from 0.1 to 99.9 hours, in 0.1 increments or, if the **▲(UP)** or **▼(DOWN)** arrow key is pressed for 4 seconds, the time indexes more rapidly.

The countdown begins when the **START/STOP** key is pressed. If the **START/STOP** key is pressed again, the shaking stops (but temperature is maintained) and the timer pauses until the **START/STOP** key is pressed again.

When a timed run ends, the **HRS** indicator will blink. Press the **SELECT** key and change to another function to turn off this indicator.

- **MUTE** This feature is controlled by the **SELECT** key. When activated, the audible alarm is muted, and remains so until it is reactivated. If **MUTE** is activated when the shaker is turned off using the **ON/OFF** switch, it will remain engaged when the machine is powered up again. To activate (or deactivate) the **MUTE** function, press the **SELECT** key until the **MUTE** indicator illuminates; press the **▲** or **▼** KEY to display **ON** or **OFF**, as desired; then press **SELECT**.

## **4.2      *Platform Assemblies***

A platform is a separate item and is required for operation.

The Excella E-10 can be used with a wide variety of NBS 30-inch X 18-inch (76 X 46 cm) platforms that will accept a variety of clamps for flasks test tubes, etc.

Refer to Section 8, *Parts & Accessories*, for details.

# 5 GETTING STARTED

## 5.1 *Installing a Platform*

A platform must be installed on the unit prior to use.

The unit is shipped with the four Allen (hexagonal, countersunk) head platform screws installed in the upper bearing housing. These screws must be removed before installing a platform. The Allen (“hex”) wrench is provided.

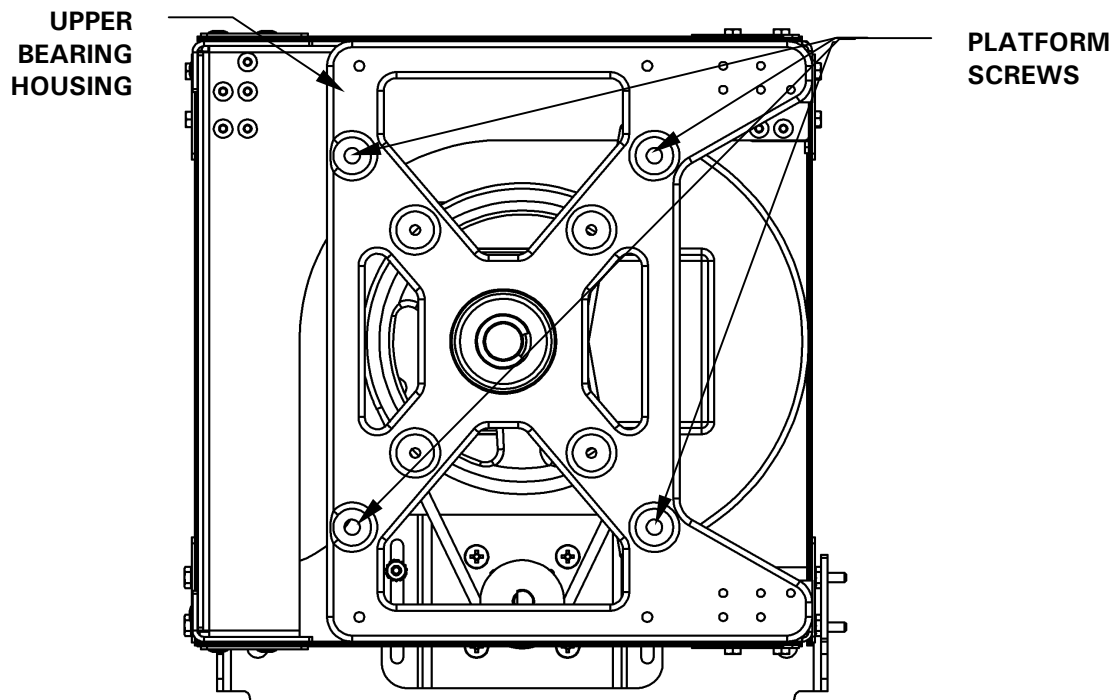


 **NOTE:**

**There are two small plastic straps holding the bearing housing in place during shipping. The straps must be removed from the unit.**

1. Using the 7/32-inch hex wrench provided, remove the four Allen head platform screws from the upper bearing housing.

**Figure 3: Platform Screw Locations**



2. Place the platform on the **UPPER BEARING HOUSING**. Align the mounting holes of the platform with the platform screw locations in the upper bearing housing.
3. Insert the four Allen head platform screws previously removed, and tighten them with the 7/32-inch hex wrench provided to secure the platform.



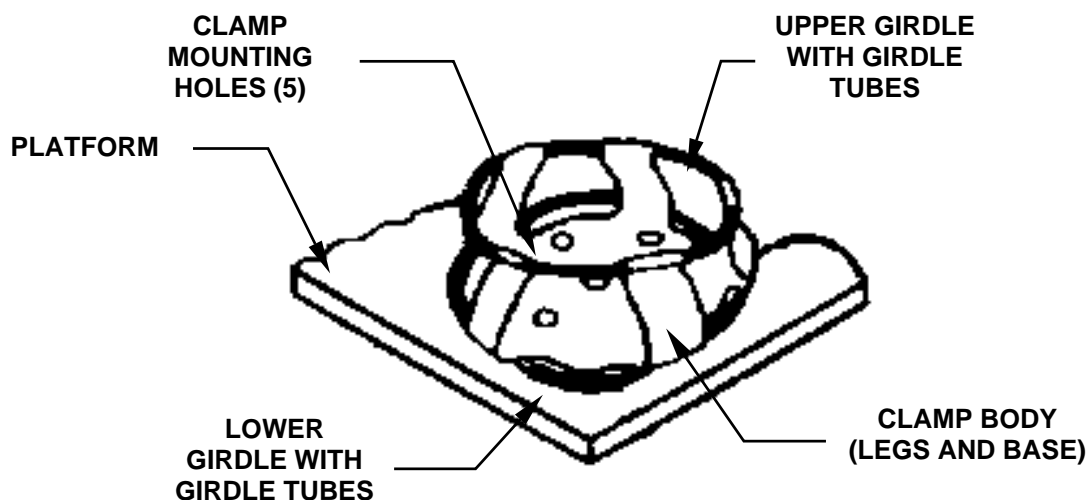
## 5.2 Installing Flask Clamps

Flask clamps purchased for use with universal platforms (*see Section 8.2*) require installation. Clamps are installed by securing the base of the clamp to the platform with the correct type and number of screws. All clamps are shipped complete with hardware.

Clamps for 2-, 2.8- and 4-liter flasks are shipped with an additional girdle to keep the flasks in place. The girdle is an assembly of springs and sections of rubber tubing. One girdle is already in place on the clamp, the other is packed separately. To install these double girdle clamps:

1. Place the clamp on the platform, aligning its mounting holes with holes on the platform. Secure the clamp in place using the flat Phillips head screws provided (#S2116-3051, 10-24 x 5/16-inch). *Use Figure 4b to help you identify the proper screws, as three different types of screws are shipped with the clamps.*
2. With the first girdle in place, as delivered, on the upper part of the clamp body (*see Figure 4a*), insert an empty flask into the clamp.
3. After making sure the sections of tubing are located between the clamp legs, roll the first girdle down the legs of the clamp as far as it can go. The tubing sections will rest against the platform, and the springs will be under the clamp base.
4. Place the second girdle around the upper portion of clamp body (just as the first girdle was initially). Make sure that its spring sections rest against the clamp legs, while its rubber tubing sections sit against the flask, in between the clamp legs.

**Figure 4a: Double Girdle Clamp Installation**



**Figure 4b: Clamp Fastener**




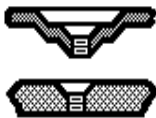
 **NOTE:**

The upper girdle secures the flask within the clamp, and the bottom girdle keeps the flask from spinning.

NBS flask clamps are used on a variety of shaker platforms. Flat head screws of different lengths and thread pitch are used to secure the clamp. To identify the proper screw for your shaker application by reference to the head style, consult Table 1 below, find the proper screws and set the others aside.

**Table 1: Clamp Hardware Application Chart**

**No matter what size the clamp, use these screws to fasten them to your platform:**

	<i>Description</i>	<i>Part Number</i>	<i>Qty.</i>	<i>Application</i>
	10-24 x 5/16 (7.9 mm) flat Phillips (+) head screw	S2116-3051	1	5/16" (7.9 mm) thick aluminum, phenolic and stainless steel platforms. 

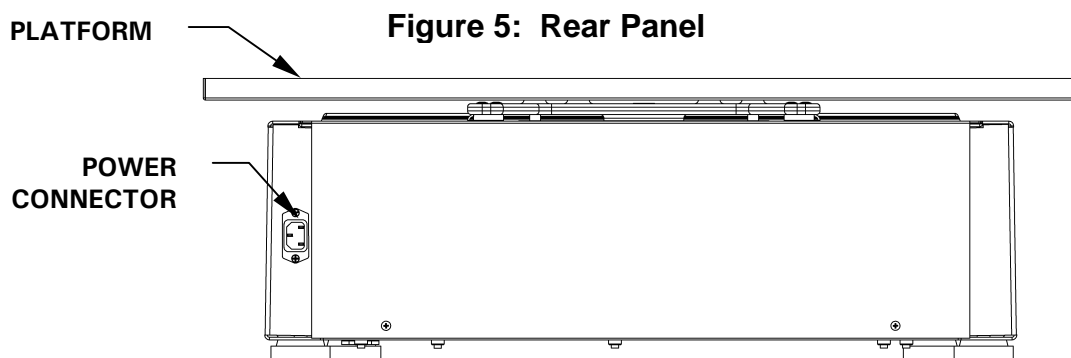
 **NOTE:**

The above table also applies to 2800 ml Fernbach Flask Clamps.

### 5.3 Electrical Connections

Before making electrical connections, verify that the power source voltage matches the voltage on the **ELECTRICAL SPECIFICATION PLATE** and that the **ON/OFF SWITCH** is on the **OFF** position. The **ELECTRICAL SPECIFICATION PLATE** is located on the side panel of the unit near the **ON/OFF SWITCH**.

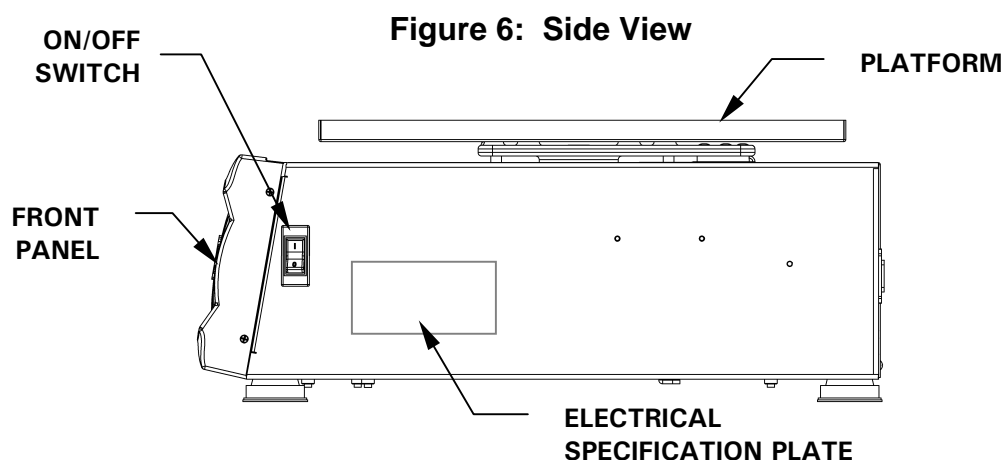
Connect the **POWER CORD** to the **POWER CONNECTOR** on the rear panel (*see Figure 5*) and the other end to a suitable, grounded receptacle.



## 6 OPERATION

### 6.1 Starting the Shaker

To initially start the shaker, turn the **ON/OFF SWITCH** on the side of shaker to the **ON** position. If the shaker begins to operate, the **LED DISPLAY** will track the speed as it accelerates to the last entered setpoint. The shaking action may be stopped or started by pressing the **START/STOP KEY**.



### 6.2 Continuous (Unlimited) Run

1. Press **SELECT** until the **RPM INDICATOR** is illuminated.
2. If the display indicates that the shaker is **OFF**, press the **START/STOP KEY**.
3. Press either **▲** or **▼ KEY** to enter **SET MODE** (the **SET INDICATOR** will illuminate).
4. Set the speed by using the **▲** or **▼ KEY** until the desired setpoint is displayed.  
Holding the **▲** or **▼ KEY** will cause the setting to change more rapidly.

#### **NOTE:**

The setpoint may be changed during a run without stopping the shaker by following steps 2-4 above. During speed changes, a visual alarm (flashing **RPM INDICATOR**) will flash and the audible alarm will sound until the speed returns to within 5 rpm of the setpoint.

### 6.3 Checking Any Setpoint

1. Press **SELECT** until the desired indicator is illuminated.
2. Press either **▲** or **▼ KEY** to enter the **SET MODE** and display the current setpoint.



#### **CAUTION!**

Holding the **▲** or **▼** for more than 0.5 seconds causes the speed setpoint to change. Should this occur, resetting will be necessary.

### 6.4 Timed Functions

The shaker may be programmed to automatically stop after a preset time period of 0.1 hour - 99.9 hours. There must be power to the shaker in order to set the timer. However, a timed run can be initiated while the unit is either shaking or stopped.

#### **To set the timer:**

1. Press the **SELECT KEY** until the **HRS INDICATOR** is illuminated.
2. Press either **▲** or **▼ KEY** to enter the **SET MODE** and set the desired run time, between 0.1 and 99.9 hours.

*If the shaker is stopped, skip to Step 5 below. If the shaker is already running:*

3. Press the **START/STOP KEY**. The shaker will stop and the display will read **OFF**.
4. Press the **START/STOP KEY** again; the **TIME INDICATOR** will light and the shaker will start the timed run.

*If the shaker is stopped:*

5. Press the **START/STOP KEY**. The shaker will start in untimed mode.
6. Press the **START/STOP KEY** again. The shaker will stop and the display will read **OFF**.
7. Press the **START/STOP KEY** a third time; the **TIME INDICATOR** will light and the shaker will start the timed run.

**To disable the visual alarm** (flashing **TIME INDICATOR**), press the **SELECT KEY** and change to any other function.

#### **To cancel the timer without stopping the shaker:**

Repeat steps 1 and 2 above, then immediately press the **START/STOP KEY**. The **TIME INDICATOR** will cease to flash and the display will read **OFF**.

## 6.5 Alarm Functions

The Excella E-10 shaker has an audible alarm which is activated at predetermined times. It can be deactivated by using the **MUTE** function:

1. Press the **SELECT** key until the **MUTE** indicator illuminates.
2. Press the **▲** or **▼** KEY to display **ON**, then press the **SELECT KEY**.

To reactivate the audible alarm:

1. Press the **SELECT** key until the **MUTE** indicator illuminates.
2. Press the **▲** or **▼** KEY to display **OFF**, then press the **SELECT KEY**.

## 6.6 Automatic Restart

In the event of a power failure, the Excella E-10 shaker is equipped with an automatic restart function.

If the shaker was in operation prior to the power interruption, when power is restored the shaker will begin to operate at its last entered setpoint. The **LED DISPLAY** will flash, indicating that a power failure has occurred. Press any key to cease the flashing in the display.

## 6.7 Speed Calibration

To calibrate the shaking speed:

1. Set the shaker to a speed that can easily be measured. If you are using a strobe, minimum speed should be 250 RPM.
2. Compare the reading on the display to the measured reading.

If an adjustment is needed:

1. Press the **SELECT KEY** until the **RPM** indicator light illuminates.
2. Press the **▲** and **▼** KEYS simultaneously. The display will indicate **CAL**.
3. Press either the **▲** or **▼** KEY to change the displayed value to match the measured speed.
4. Press the **▲** and **▼** KEYS simultaneously to save the adjustment.
5. Turn unit **OFF** using the power switch, then turn it back **ON**.

## 7 MAINTENANCE & SERVICE



### **WARNING!**

Always turn off the shaker and disconnect the power cord from the power supply before performing any maintenance on the unit.

### **7.1 Cleaning External Surfaces**

Use a cloth dampened with water or any standard, household or laboratory cleaner to wipe down the shaker's outer surfaces.

Never use abrasive or corrosive compounds to clean this instrument, as they may damage the unit and void the warranty.



### **WARNING!**

The following procedures are provided for your information only. Do not attempt to perform these service interventions yourself unless you are an authorized service technician.

### **7.2 Belt Replacement or Adjustment**

To gain access to the drive belt, your service technician will follow these steps *with reference to Figure 7*:



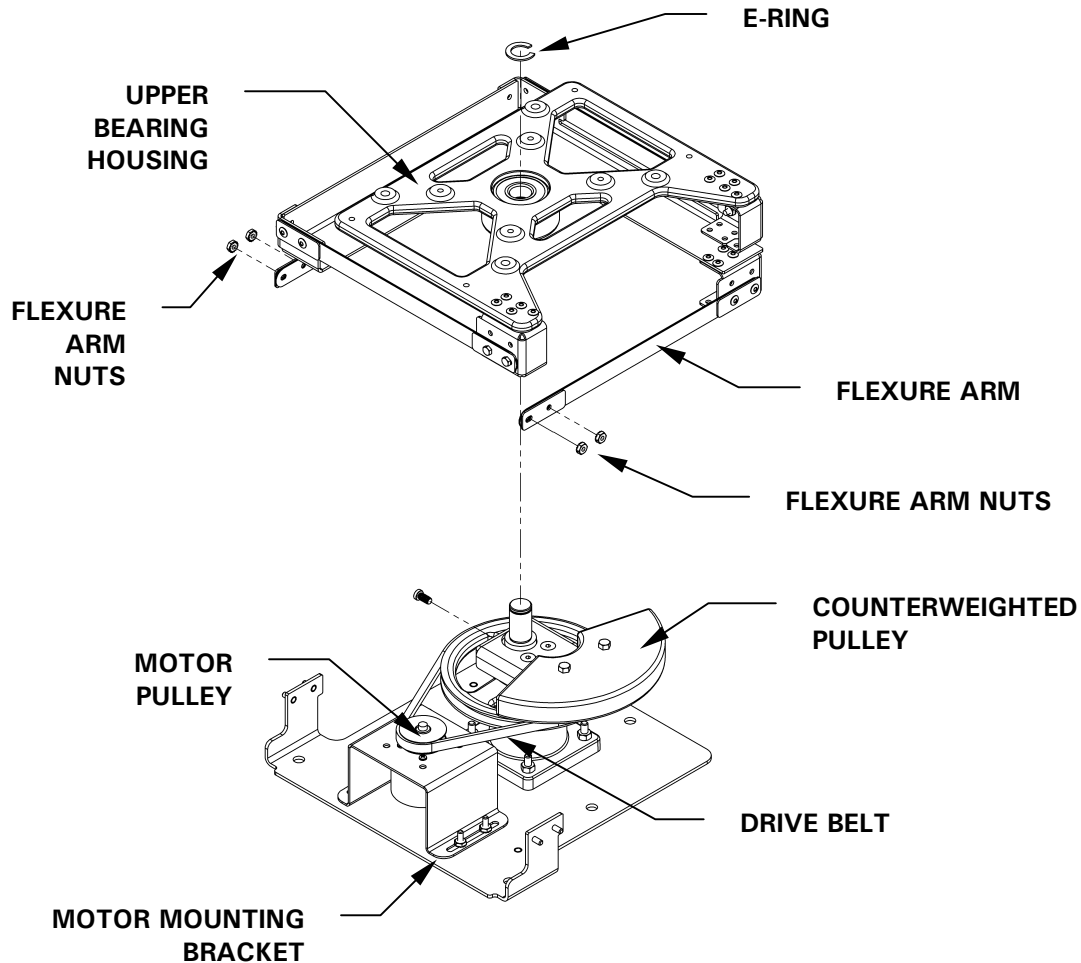
### **WARNING!**

Always keep fingers clear of the drive belt and pulley.

1. Set the **ON/OFF** power switch to **OFF**.
2. Disconnect the power cord from the electrical outlet.
3. Using an Allen wrench, remove the four Allen head screws that hold the platform to the bearing housing. Set the platform and its mounting screws aside for reuse.
4. Remove the E-ring that holds the upper bearing housing to the shaft.
5. Remove the four nuts (two on either side) from the bearing housing mounting plate. These nuts hold the flexure arms in place.

6. Slide the upper bearing housing off the shaft, and set it aside.
7. Use the hex wrench to loosen the four hex nuts on the motor mounting bracket.
8. Gently slide the motor mounting bracket toward the righthand side of the shaker. This loosens the drive belt from the motor pulley and the large counterweighted pulley. Moving the motor mounting bracket forward will cause the belt to fall from both belt tracks.
9. Remove the old belt.
10. With one hand, place the new belt around the motor pulley, and with the other hand guide the belt around the large counterweighted pulley.
11. Move the motor mounting bracket back, until there is a slight resistance.
12. Verify that the drive belt has a slight pressure near the center. The recommended deflection is  $3/8$  inch (9.5 mm).

**Figure 7: Drive Belt Replacement**



13. Use the hex wrench to tighten the four hex nuts on the motor mounting bracket.
14. Reinstall the upper bearing housing on the shaft.
15. Reattach the flexure arms to the bearing housing mounting plate with the four nuts previously removed.

16. Reattach the E-ring to the shaft.
17. Reinstall the platform on the bearing housing with the four Allen head screws previously removed.
18. Reconnect the power cord to the electrical outlet.

### 7.3 Troubleshooting

If any problems occur with your shaker, do not attempt to perform any service on the unit other than specified in this manual. Unauthorized servicing may void the warranty. Please contact your local NBS Service Department

In any correspondence with NBS, please refer to the Model Number and Serial Number of your unit. This information is on the **ELECTRICAL SPECIFICATION PLATE**, located on the side panel of the unit near the **ON/OFF SWITCH**.

There are some problems, however, that you can investigate and correct yourself. Refer to the following Troubleshooting Guide:

Symptom(s)	Probable Cause(s) & Solution(s)
Shaker does not run.	Power cord is not plugged in and/or power switch is off: plug in power cord (to working electric outlet), and turn on power switch.
	Lid is open and "LID" is indicated on display: close lid firmly.
	On/Off switch is not working: call for service.
	If you recently replaced a fuse, it may not have been seated properly: remove and reinstall the fuse carefully.
	Defective main board: call for service
	Defective display controller board: call for service.
	Jammed shaking mechanism: call for service
	Defective motor: call for service
Shaker runs slowly and/or no speed indication.	Drive belt out of alignment or worn: call for service.
	Incorrect speed calibration: recalibrate shaking speed (see <i>Section 6.7</i> ).
	Defective main board: call for service.
	Defective motor: call for service.
Shaker does not run at set speed.	Drive belt is out of alignment or worn: call for service.
	Shaker is overloaded and/or you are using baffled flasks: remove some contents & balance load.
	Defective motor: call for service.
Operating noise	Drive belt out of alignment or worn: call for service.
	Load out of balance: unload all contents, then reload.
	Loose component(s) in platform, subplatform and/or drive assembly: call for service.



## 8 PARTS & ACCESSORIES

When ordering replacement or accessory parts, or requesting service, please provide the Model Number and Serial Number of your shaker. This information is on the **ELECTRICAL SPECIFICATION PLATE** located on the side panel of the unit.

### 8.1 Belt Replacement Parts

<i>Part Description</i>	<i>Quantity</i>	<i>NBS Part Number</i>
V-Belt	1	R-334
3/8-16 NC x 1¼-inch flat head Allen screw	3	S1127-3206

### 8.2 Accessories

#### 8.2.1 Dedicated Platforms

<i>Platform Description</i>	<i>Flask Capacity</i>	<i>NBS Part Number</i>
50 ml Erlenmeyer Flasks	108	M1119-9908
125 ml Erlenmeyer Flasks	60	M1191-9909
250 ml Erlenmeyer Flasks	40	M1191-9910
500 ml Erlenmeyer Flasks	24	M1191-9911
1 L Erlenmeyer Flasks	15	AG-1
2 L Erlenmeyer Flasks	12	AG-2
2.8 L Erlenmeyer Flasks	6	AG-28
4 L Erlenmeyer Flasks	6	AG-4
6 L Erlenmeyer Flasks	4	AG-6

### 8.2.2 Universal Platform Flask Capacity

The Universal Platform (NBS Part Number M1250-9920) is capable of holding the following quantities of flasks:

<b>Flask Type</b>	<b>Capacity</b>
50 ml Erlenmeyer Flasks	91
125 ml Erlenmeyer Flasks	39
250 ml Erlenmeyer Flasks	30
500 ml Erlenmeyer Flasks	18
1 L Erlenmeyer Flasks	12
2 L Erlenmeyer Flasks	8
2.8 L Erlenmeyer Flasks	6
4 L Erlenmeyer Flasks	6
6 L Erlenmeyer Flasks	4

### 8.2.3 Racks & Trays

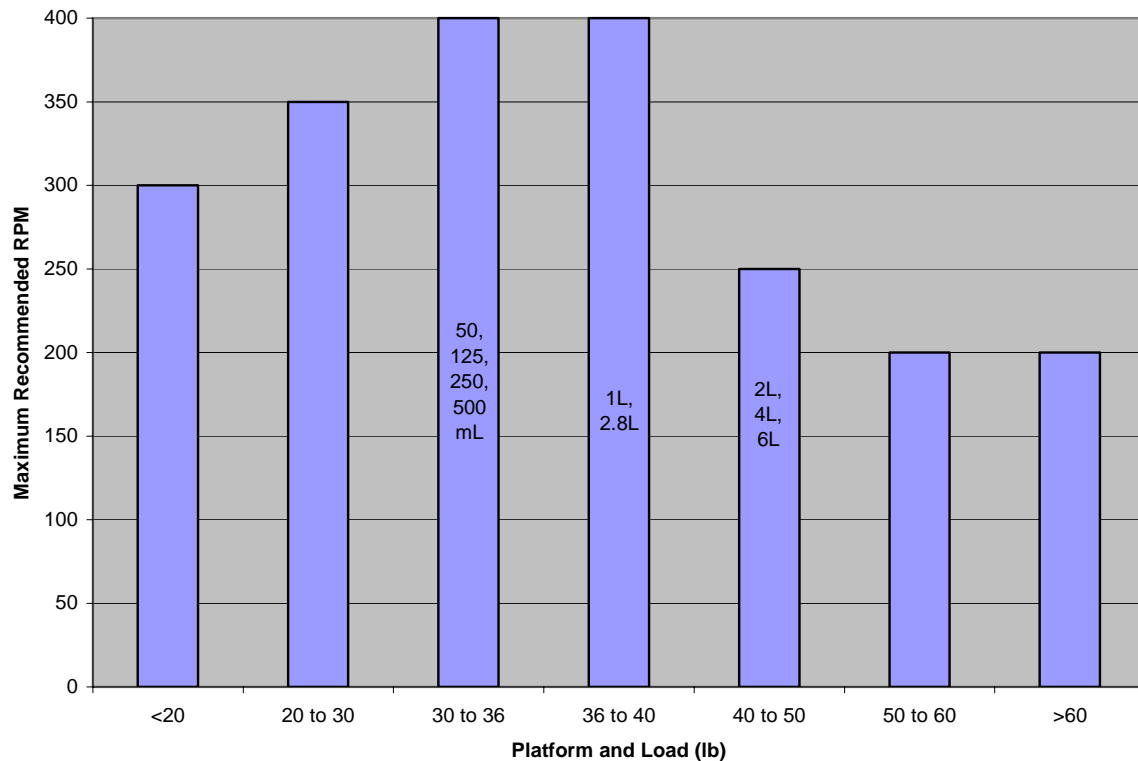
<b>Accessory Description</b>		<b>NBS Part Number</b>	<b>Platform Capacity</b>
Adjustable angle Test Tube Rack for tubes 8 – 11 mm diameter	80 tube capacity	M1289-0100	7
	60 tube capacity	M1289-0010	9
	48 tube capacity	M1289-0001	9
Adjustable angle Test Tube Rack for tubes 12 - 15 mm diameter	60 tube capacity	M1289-0200	7
	44 tube capacity	M1289-0020	9
	34 tube capacity	M1289-0002	9
Adjustable angle Test Tube Rack for tubes 15 –18 mm diameter	42 tube capacity	M1289-0300	7
	31 tube capacity	M1289-0030	9
	24 tube capacity	M1289-0003	9
Adjustable angle Test Tube Rack for tubes 18 – 21 mm diameter	30 tube capacity	M1289-0400	7
	23 tube capacity	M1289-0040	9
	18 tube capacity	M1289-0004	9
Adjustable angle Test Tube Rack for tubes 22 – 26 mm diameter	22 tube capacity	M1289-0500	7
	16 tube capacity	M1289-0050	9
	13 tube capacity	M1289-0005	9
Adjustable angle Test Tube Rack for tubes 26 - 30 mm diameter	20 tube capacity	M1289-0600	7
	16 tube capacity	M1289-0060	9
	12 tube capacity	M1289-0006	9
Microplate holder rack (stacked)	3 deep well or 9 standard	M1289-0700	16
Microplate holder rack (single layer)	5 deep well or standard	TTR-221	4
Angled Test Tube Rack Holder* for user-supplied test tube racks that are 4-5 in. (10-13 mm) wide and up to 15 in. (38 mm) long.		TTR-210	4
Angled Test Tube Rack Spacer Bar* for use with TTR-210 to accommodate test tubes racks that are less than 5 in. (13 mm) wide.		TTR-215	NA

\* Universal Platform Required

## 9 SPECIFICATIONS

<b>Shaking</b>		
<b>Speed</b>	50-400 rpm	
<b>Motion</b>	1-inch (25.4 mm) diameter circular orbit	
<b>Indication</b>	LED digital electric display, 1 rpm increments	
<b>Setpoint &amp; Control</b>	Digital adjustment with PI microprocessor control and instantaneous visual feed back $\pm 1$ rpm.	
<b>Accuracy</b>	$\pm 2$ rpm	
<b>Drive</b>		
UniCentric™ single eccentric counterbalanced ball bearing drive		
<b>Keypad Timer</b>		
<ul style="list-style-type: none"> <li>• Programmable shaking periods from 0.1 hour to 99.9 hours by a digital timer that shuts off at the end of period and energizes status light.</li> <li>• Timer counts down and digital display indicates remaining time.</li> <li>• Can be deactivated for continuous operation.</li> <li>• Additionally, unit will display total accumulated running time for service information.</li> </ul>		
<b>Operating Ambient Environment</b>		
5°C - 45°C, 20 - 80% humidity, non-condensing		
<b>Alarms</b>		
<ul style="list-style-type: none"> <li>• Warning signal (audible and visible) indicates when shaking speed deviates more than 5 rpm from setpoint and when timer operation has expired.</li> <li>• Audible alarm can be deactivated/activated by the operator.</li> </ul>		
<b>Automatic Restart</b>		
<ul style="list-style-type: none"> <li>• Unit will automatically restart after undesired power interruption.</li> <li>• Setpoints are maintained by non-volatile memory.</li> <li>• Interruption is indicated by a flashing display.</li> </ul>		
<b>Electrical Service</b>		
<ul style="list-style-type: none"> <li>• 110V/120V AC, 50/60 Hz, 1320 VA</li> <li>• 220V/240V AC, 50/60 Hz, 1320 VA</li> </ul>		
<b>Dimensions</b>		
<b>Width</b>	30 inches	(76 cm)
<b>Depth</b>	27 inches	(68.3 cm)
<b>Height</b>	7 inches	(17.3 cm)
<b>Platform Dimensions</b>		
30 inches x 18 inches (76 cm v 46 cm)		
<b>Weight</b>		
<b>Net</b>	108 pounds	49 kg
<b>Gross</b>	145 pounds	66 kg

**Figure 8: Load & Speed at 20% Full**



## 9.1 Certifications

The Excella E-10 shaker has been tested to ETL standards, to comply with the following electrical safety standards: UL 61010A-1, UL 61010A-2-010, CAN/CSA-C22.2 No. 1010.1 and CAN/CSA-C22.2 No. 1010.2.010.

As attested in the CE Declaration of Conformity reproduced on the following page, they also conform to the appropriate CE standards (see also “CE Regulatory Standards” in the specifications table).



**New Brunswick Scientific**



### DECLARATION OF CONFORMITY

**New Brunswick Scientific, Hereby declares that the product(s) listed below conform to the European Union directive and standards identified in this declaration.**

**Product(s)**

I-26/I-26R, E-25/E-25R, I-25/I-25R, E-24/E-24R, I-24/ I-24R, E-1, E-2, E-5, E-10, I-20, I-21, I-23

**EU Directive(s)**

Low Voltage (73/23/EEC/93/68/EEC)  
Electromagnetic Compatibility (89/336/EEC/93/68/EEC)

**Standard(s)**

EN61010-1: 2001 (2 <sup>nd</sup> Edition)	EN61000-4-2
EN61010-2-010 (2003)	EN61000-4-4
EN61326: 1997+A1: 1998 +A2:2001 Emissions	EN61000-4-5
EN61326: 1997+A1: 1998 +A2:2001 Immunity	EN61000-4-11
EN61000-3-2: 1995	
EN61000-3-3: 1995	

The conformity assessment procedure were performed at the following locations:

- **Intertek Testing Services, 40 Commerce Way, Totowa, NJ 07512 and New Brunswick Scientific, 44 Talmadge RD, Edison, NJ 08818.**

The technical documentation relevant to the above equipment will be held at:

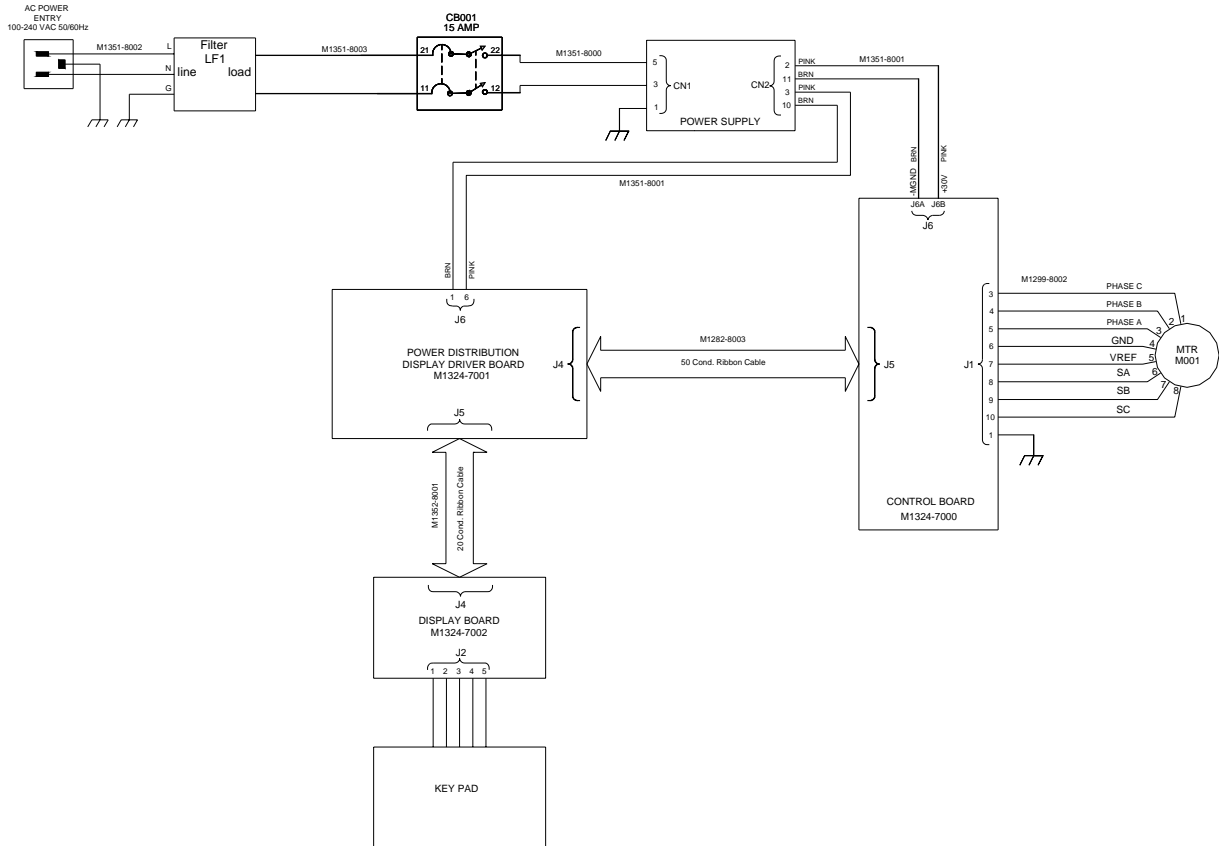
**New Brunswick Scientific Company**  
**PO Box 4005**  
**44 Talmadge Road**  
**Edison, New Jersey 08818-4005 U.S.A**  
**Tel. (732) 287-1200**  
**Fax. (732) 287-4222**

  
 Lee Eppstein  
 VP of Science & Technology

23 Feb, 2006  
 Date

# 10 DRAWINGS

## Figure 9: Control Schematic



### 10.1 Drawing List

Figure	Description	Page
1	Front Panel	12
2	Keypad	12
3	Platform Screw Locations	16
4a	Double Girdle Clamp Installation	17
4b	Clamp Fastener	17
5	Rear Panel	18
6	Side View	19
7	Belt Replacement	23
8	Load & Speed at 20% Full	28
9	Control Schematic	30

**10.2 Table List**

<b>Table</b>	<b>Description</b>	<b>Page</b>
1	Clamp Hardware Application Chart	18
--	Troubleshooting Chart	24
--	Belt Replacement Parts	25
--	Dedicated Platforms	25
--	Universal Platform Flask Capacity	26
--	Racks & Trays	26
--	Specifications	27
--	Drawing List	30

**A**

Accessories · 25  
 Alarm  
   Deactivating the · 21  
   Reactivating the · 21  
 Alarms · 27  
 Automatic Restart · 21

**B**

Belt Replacement · 22

**C**

Calibrating Speed · 21  
 CAUTION  
   Explanation of · 5  
 CE Standards · 29  
 Certifications · 28  
 Checking Setpoints · 20  
 Clamp Hardware · 18  
 Cleaning External Surfaces · 22  
 Continuous Run · 19  
 Copyright Notice · 5

**D**

Deactivating the Alarm · 21  
 Declaration of Conformity · 29  
 Dimensions  
   of Platform · 27  
 Disclaimer Notice · 5  
 Double Girdle Clamps · 17  
 Drawings  
   List of · 31  
 Drive · 27  
 Drive Belt  
   Removing the · 22  
   Replacing the · 22

**E**

Electrical Connections · 18  
 Equipment  
   Unpacking of · 10

**F**

Features

Status Indicators · 13  
 Flashing Display · 21  
 Flask Capacity · 25  
 Flask Clamps  
   Installation of · 17  
 Function Indicators · 14

**G**

Gross Weight · 29

**H**

Holding Straps · 10, 16

**I**

Inspection  
   of Boxes · 10  
   of Equipment · 10  
 Installing Flask Clamps · 17  
 International Offices · 3

**K**

Keypad Timer · 27

**L**

LED Display · 13

**M**

Maintenance · 22  
 Manual Conventions · 5  
 Mute · 14, 21

**N**

Net Weight · 29  
 NOTE  
   Explanation of · 5

**O**

On/Off Switch · 19  
 Operating Environment · 11, 27  
 Operation · 19  
 Overview · 9



**P**

Part Numbers · 25  
Physical Location · 11  
Platform Dimensions · 27  
Platform Installation · 16  
Platform Screw Location · 16  
Platforms · 15, 25  
Power Cord Connection · 18  
Power Failure · 21  
Preventive Maintenance · 22  
Problems · 24

**R**

Racks · 26  
Reactivating the Alarm · 21  
Rear Panel · 18  
Regulatory Standards · 28  
Relative Humidity · 11  
Replacement Parts · 25

**S**

Service · 24  
Setpoints · 20  
Setting the Timer · 20  
Shaking Accuracy · 27  
Shaking Speed · 27  
Shipping Straps · 10, 16  
Side View · 19

Specifications · 27  
Speed Calibration · 21  
Starting the Unit · 19  
Status Indicators · 13

**T**

Table of Contents · 7  
Test Tube Holders · 26  
Timed Functions · 20  
Timer  
    Setting the · 20  
Trays · 26  
Troubleshooting · 24

**U**

Unlimited Run · 19  
User Interface Keys · 13

**V**

Visual Alarm  
    Disabling the · 20

**W**

**WARNING**  
    Explanation of · 5  
Warranty · 6  
Weight · 27

